

Starbright Pentagon

Design: Torbjörn Lorin, Sweden, Feb 27 1993

(5TL1.GEM)

Angles for R.I. = 1.540

121 + 5 girdles = 126 facets

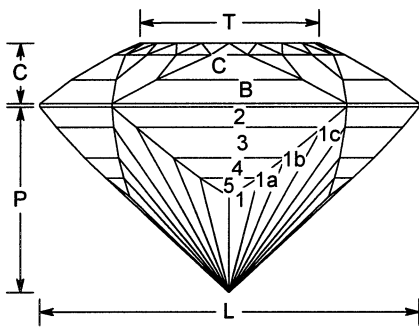
5-fold, mirror-image symmetry

80 index

L/W = 1.051 T/W = 0.495 U/W = 0.495

P/W = 0.515 C/W = 0.168

Vol./W³ = 0.236



PAVILION

Facet	Angle	Facet Numbers	Description
1	43.00°	02-04-06-08-10-12-14-18-20-22-24-26-28-30-34-36-38-40-42-44-46-50-52-54-56-58-60-62-66-68-70-72-74-76-78	Cut with constant height
2	65.00°	80-16-32-48-64	Level girdle
3	60.00°	80-16-32-48-64	Meet 1c
4	55.00°	80-16-32-48-64	Meet 1b
5	50.00°	80-16-32-48-64	Meet 1a
	90.00°	80-16-32-48-64	

CROWN

Facet	Angle	Facet Numbers	Description
A	30.00°	04-08-12-20-24-28-36-40-44-52-56-60-68-72-76	Cut with constant height also cut 80-16-32-48-64
B	52.00°	80-16-32-48-64	Determine girdle size
C	42.00°	80-16-32-48-64	Meet A,B
D	25.00°	80-04-08-12-16-20-24-28-32-36-40-44-48-52-56-60-64-68-72-76	Recut 80-16-32-48-64 to meet C then cut with constant height
E	23.00°	02-06-10-14-18-22-26-30-34-38-42-46-50-54-58-62-66-70-74-78	Meet A,C
	0.00°	Table	

This design is easy to cut and is especially useful for larger stones. The extra A facets 80-16-32-48-64 which will be cut away is to give same size for all D star facets.

D:\Fasett\5TL1.GEM